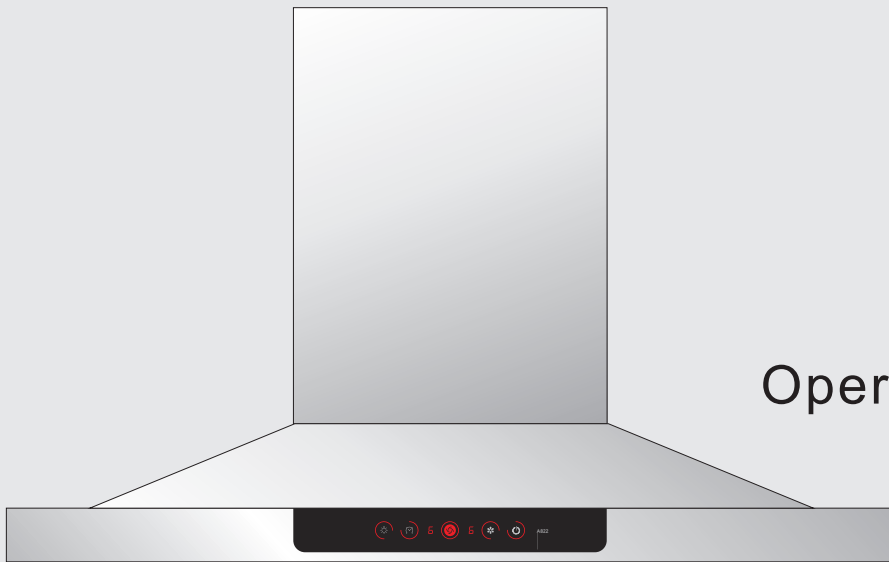


ROBAM



Operation Manual

CXW-200-A822

Range Hood

CONTENTS

1.Important Information.....	1
2.Product Overview.....	1
3.Installation.....	2
4.Use Instruction.....	5
5.Maintenance and Services.....	7
6.Circuit Diagram.....	9
7.General Troubleshooting.....	9

Dear Users

Thank for your buying our range hood. Please accept our best regards.
Please read this operation manual carefully before installation and operation.

Important Information

New Package of Range Hood

Please settle those packages carefully in order to protect environment.

Don't allow children to play plastic film and package, it may cause asphyxia. Please avoid children near package material.

Dispose Old Range Hood

If the old range hood can't work, we suggest users to dispose them after confirming without any usage.

There are something useful material inside of old range hood, please assist us to dispose so as to protect environment.

Before use new range hood

This range hood exhaust fume outside.

Please read this manual and all information carefully before installation and operation. Please comply with our suggestion. If it's necessary, please read manual for gas hob. And please keep these manual carefully for future reference.

This manual is available for different models. So you may find different description with your own range hood.

If range hood has obvious damage, please don't electrify and contact operator.

Children and disability are not allowed to use range hood independently in order to avoid accident.

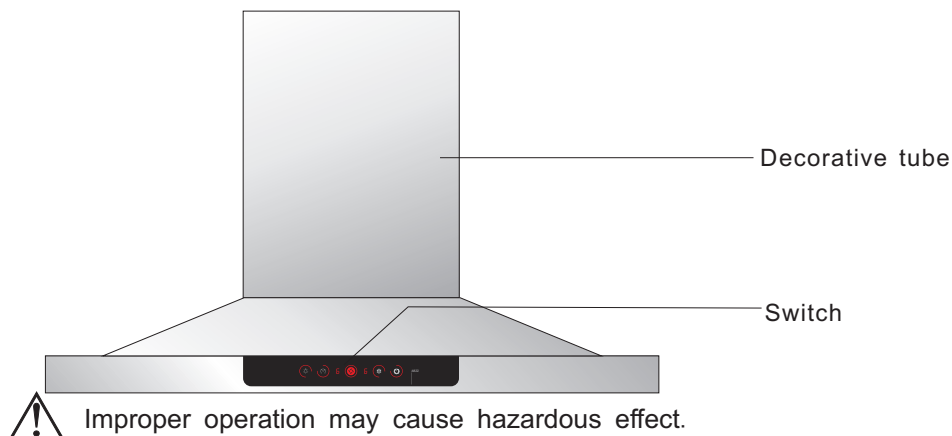
Product Overview

Technical Datas

Model	CXW-200-A822	Noise	≤56.5dB
Power Supply	220-240V~ 50Hz	Rated Main Motor Input Power	200W
Total Pressure Efficiency	≥22%	Lighting Power	≤2W
Nominal Wind Pressure	≥230 Pa	Size(L x W x H)	895×520×600(mm)
Air Flow Rate	16.5m ³ /min	Net Weight	26kg

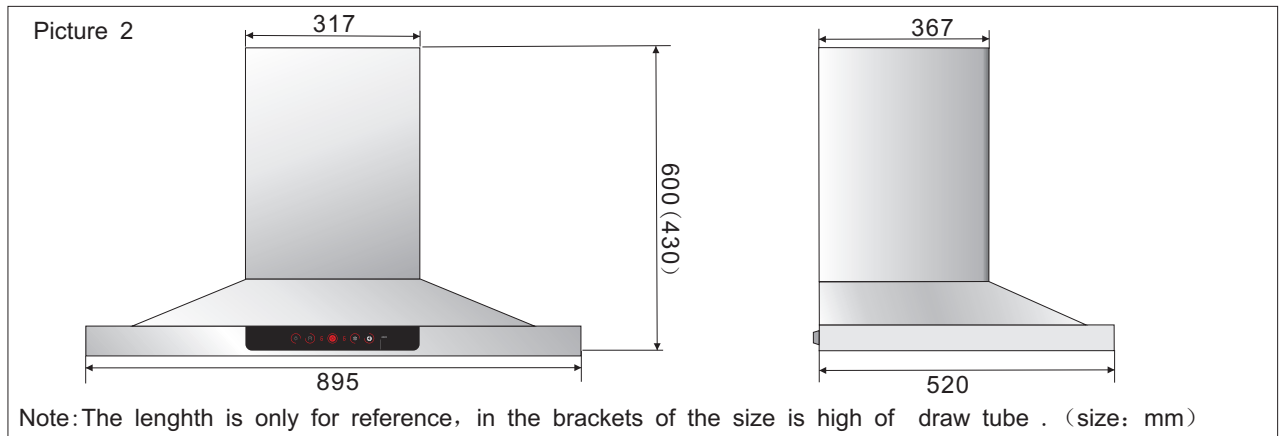
Notice: Operation function for stir fry, the power and speed than strong file (3 files) power and speed increased by 10%.

Picture 1



Improper operation may cause hazardous effect.

Size & Dimension



Installation

⚠ Warning

1. The range hood is prohibited from exhausting fume into hot flue , which is used for exhausting gas fuel or other fuel fume.
2. In installing metal expansion tube, ensure perfect match of tube diameter with hole diameter to prevent accidental falling off from loosened expansion tube due to excessive hole expansion.
3. Use range hood in case of gas or other fuel combustion and ensure good ventilation in the room.
4. Flue opening smaller than that of the air duct or excessively long air duct will affect the fume removal.

Preparation

● Ambient environment

Range hood shall be installed away from positions with too many windows or doors, which will lead to strong air convection and thus reduce the effect of fume removal.

⚠ Note: This product must be used in the daily life. Don't use it under special situation (for example: outside), meanwhile , don't use this product to exhaust dangerous explosive material or gas . This product must be placed under safe circumstance before installation. (dry, good ventilation, non-corrosive and innocuous , etc)

● Tools

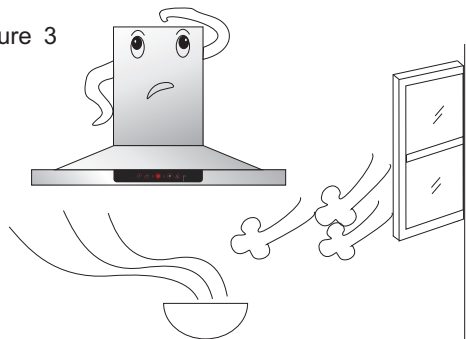
Installing range hood requires the following tools: 1. impact electric drill (with drill bit) ; 2. Wrench ; 3. Screwdriver; 4. Ruler

● Packing List

Packing List	No.	Item Name	Quantity	No.	Item Name	Quantity
	1	Range Hood	1 unit	9	ST 4x18 tapping screw	10 pcs
	2	Φ175 aluminum foil's duct	1 set	10	ST 4x60 wooden screw	4 pcs
	3	Φ175 air duct's interface		11	Stop block for bracket	1 unit
	4	Fixed bar of air duct		12	M6 metal expansion tube	1 set
	5	Adhesive tape		13	Hanging feet	1 unit
	6	Plastic expansion tube		4 pcs	14	Oil Cup
	7	Operation Manual	1 unit			
	8	Check Valve	1 unit			

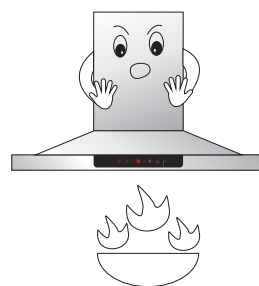
Installation Precautions

Picture 3



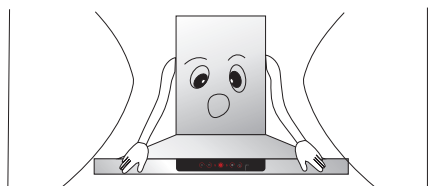
- Don't install the range hood too high and keep it free from external airflow to prevent reduced the effect of fume removal.

Picture 4



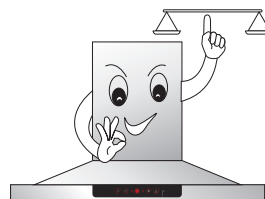
- ⚠ Warning: Don't allow to contact fire with range hood directly. Forbid gas stove from getting fire to prevent damage of range hood or happening of accident.

Picture 5



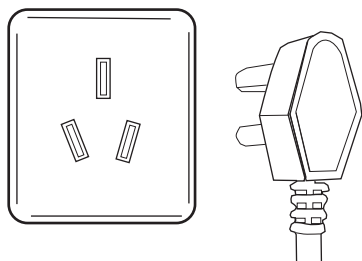
- Please reserve sufficient space when making cabinet in order to maintain and repair hood.

Picture6



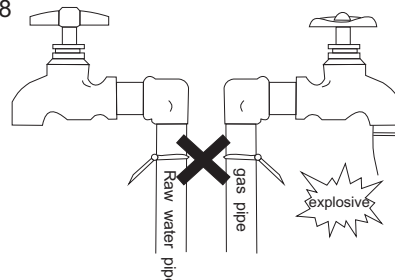
- Keep hood horizontal when installing.

Picture 7



- Please use the single-phase grounding socket, and good.

Picture 8



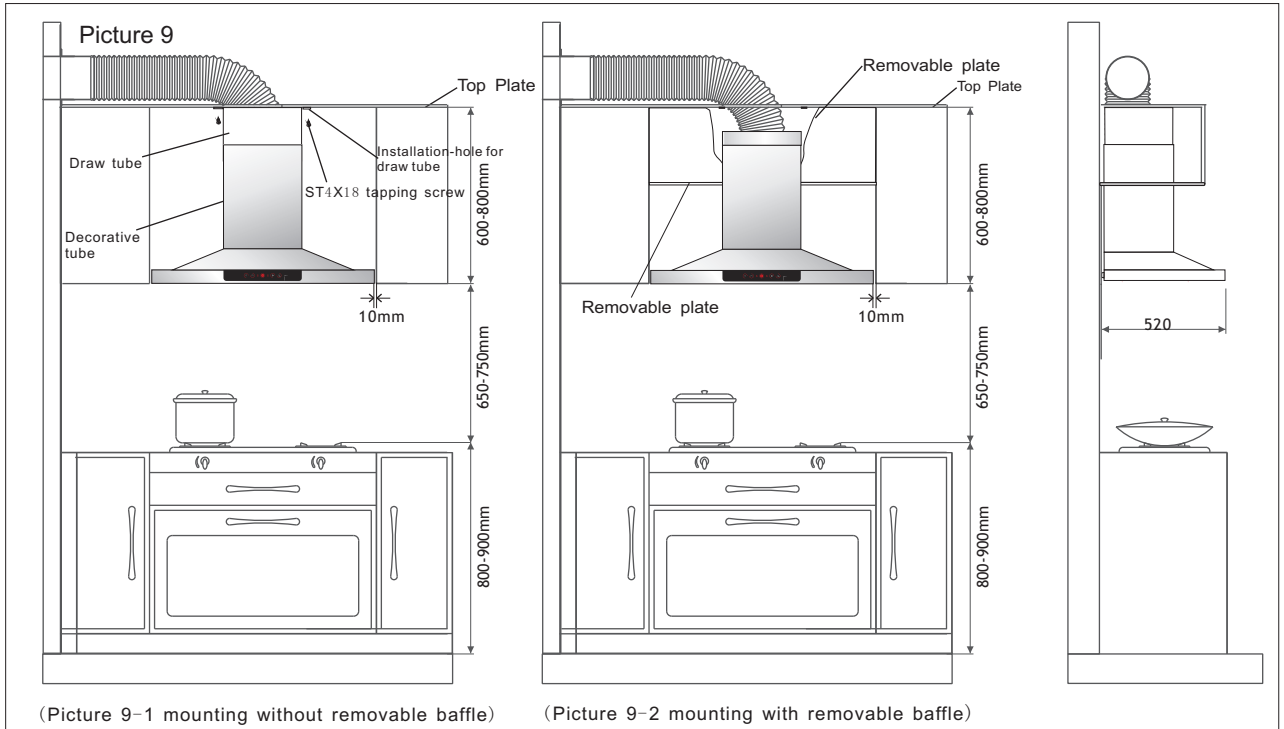
- Tap water pipe improperly earthed.
- It's dangerous of fire and explosion to earth gas pipe.

Please pay much attention to following:

- If your kitchen is under installation, please don't divulge range hood outside, because the smell from building material, dust, painting, coating material may cause rust. We suggest users to install range hood after decoration.
- Don't allow to install range hood on the wall which is easy to fire, for instance, wooden wall. Please install range hood on the wall where has enough space and strength for noncombustible material.
- Range hood and electricity must be installed by specific operation. Don't allow to install, disassembly and maintenance range hood by non-professionable person.
- Please ware glove when moving, installing, cleaning or repairing range hood.
- Please be care of electricity inside of wall when operator digging holes on the wall. It may causes fire.

Installation

- Location:** Reference dimension for mounting of removable baffle is 430 (mm), but subject to adjustment according to actual situations. The installation hole (picture 10) shall be centered vertically with the hood body and kept horizontally.
- ▲ Operator shall install range hood upright the gas hob with recommended lowest height between hood bottom and cooktop is 650mm (if maximum installation distance is specified in the instruction of installation, this shall be taken into consideration; The installation height can be reduced according to actual situations when there is electric hob).



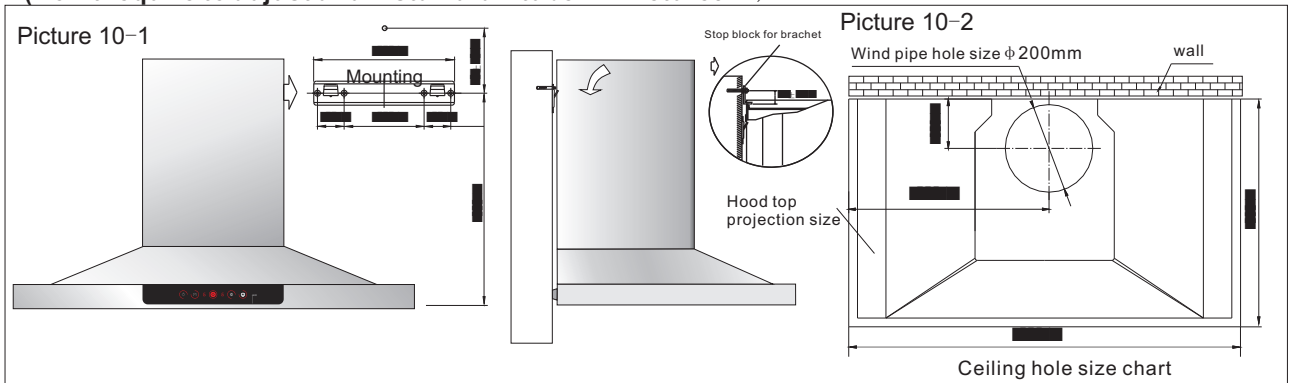
2. Installing hanging plate: Drill four 60–70mm–deep holes by $\Phi 8$ mm drill bit at positions corresponding to the hanging plate dimension. Force the expansion tube into the holes and fasten firmly the hanging plate by the supplied four 4x60 wooden screw. Drill a 50–55mm–deep $\Phi 10$ mm hole at position 65mm high from the four holes and force the M6 metal expansion tube into the hole (picture 10).

3. Adjust draw tube: Pull up two brackets of the draw tube to proper level, then forced pull out the draw tube, ear off the protective film. And then insert into between decorative tube and shell body to adjust the proper level.

4. Installing hood body: First fix the check valve as picture 11-1 as shown in Picture 10, align the hanging holes at back of the hood body to the hooks on the hanging plate and slide the body in by pressing and shake by hands the body to see if it is firmly hang. When the body is ready in place, install safety stop block and gasket on the M6 metal expansion tube and fasten firmly the nuts to prevent the hood body from running out of the hooks under external force.

5. Install draw tube: Following picture 9-1, a gap is about 3cm between draw tube and top plate, push the draw tube, so that the draw tube can touch the top plate, and then fix the draw tube on the top plate with ST 4x18 tapping screw.

(Don't require to adjust and install draw tube in Picture 9-2)



6. Install aluminum foil's air duct:

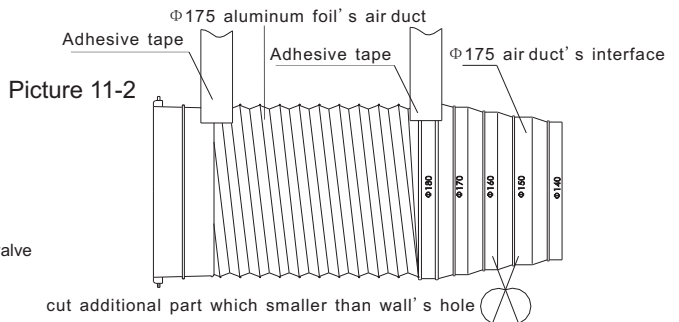
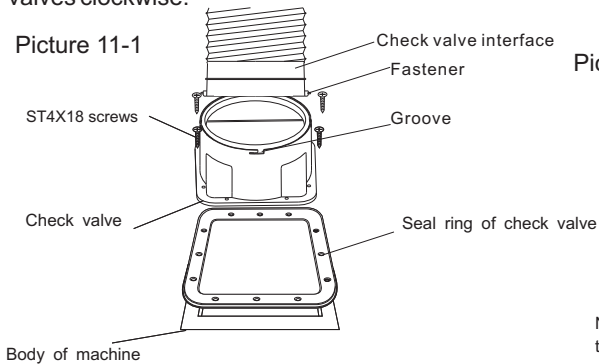
1) Drill hole position for aluminum foil (for public flue, don't need to drill holes)

- Aluminum foil and cooktop faces to window: disassemble one side glass, and install one plywood with holes, or open holes on the glass directly.
- Cooktop keeps far away from the window: Select the window nearest to the outside with good ventilated to install aluminum foil across the window; Or drill hole on the wall nearest cooktop and install aluminum foil across the wall.
- Drill holes on the wall: measure aluminum foil's position on the wall, draw the hole's scope on the wall (circles slightly larger than the diameter of aluminum foils), then drill holes through the wall. Don't destroy the outside wall, so when drill holes, please take care of wall's structure and materials.

2) Connect aluminum foil's air duct

Firstly, fasten one side of aluminum foil's air duct without fixed bar on the interface by adhesive tape, then straighten air duct with the interface of public flue and connect it. (Without public flue, please straighten air duct outside of room. When the interface of public flue or the size of wall's hole is bigger than aluminum foil's air duct, it can be connected directly; When it's smaller, there are four specification for the interface of air duct, such as 140mm, 150mm, 160mm and 170mm. The users can cut additional parts based on actual situations.

Then, fasten one side of aluminum foil's air duct with fixed bar in the external ring of check valve by adhesive tape. Finally, put 4 fasteners on the interface of check valve into corresponding groove, and fasten air duct on the check valves clockwise.

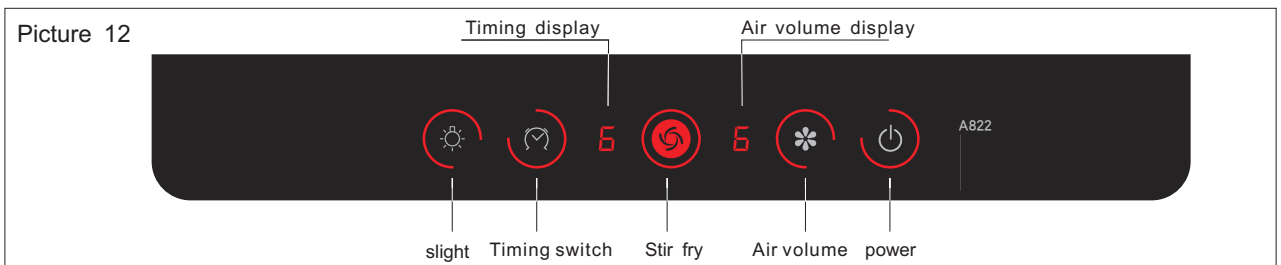


Notice: Please straighten the aluminum foil's air duct when installing this product to avoid noise under incompletely straight condition. The additional air duct can be cut by wire-cutter.

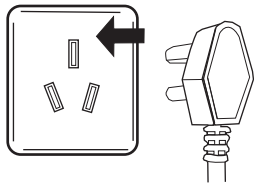
The hole diameter on the wall shall be near to that of air duct and shall not be too small. Otherwise, it will lead obstructed exhaust, higher noise and lower air flow rate. The interface between air duct and check valve or public flue must be sealed completely and connected firmly. The sheet on the interface of check valve or public flue's interface must move smoothly.

Use Instruction

Control Panel

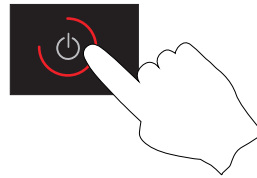


Picture 13



- Turn on the power plug, a buzzer rang 3 sound prompted to install qualified, into standby mode.

Picture 14



- Press the power button, the outer circle give red lights, the products are in boot state, ready, waiting for work instructions.

Picture 15



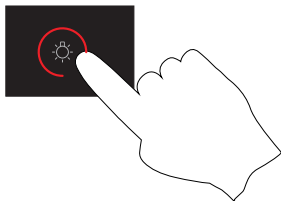
- Display "6" when press the stir-fry button and change to "3" automatically after 3mins, then you can adjust the air flow rate button to change the air flow rate, the buzzer will ring by press each time with air flow rate reduce.

Picture 16



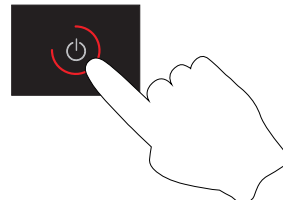
- Press the timing button, the timing display shows "1", means timing is 10mins, the range hood will send out the "Ding" sound to remind the timing is over. Press again, the timing display shows "2", means timing is 20mins, until 60mins. If the timing is over, press any button to cancel the reminder of the timing.

Picture 17



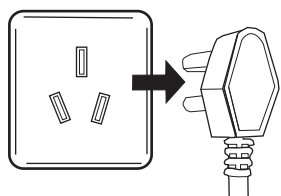
- After ensuring power is on, lightly touch "Light" key by finger, its lamp turns on and press "Light" key again, its lamp goes out. (Lighting lamp turns off)

Picture 18



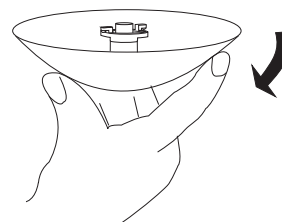
- After ensuring power is on, lightly touch "Light" key by finger, its lamp turns on and press "Light" key again, its lamp goes out (Lighting lamp turnsoff); If the motor is running, touch "power" button, the "power" button will be shine and range hood shall be turn off motor functions after 1 mins. If the "power" button shine, press the "power" button again to switch off all functions.

Picture 19



- Switch off the plug in case of no time no use.

Picture 20



- Pull out the oil cup and discharge the waste oil.

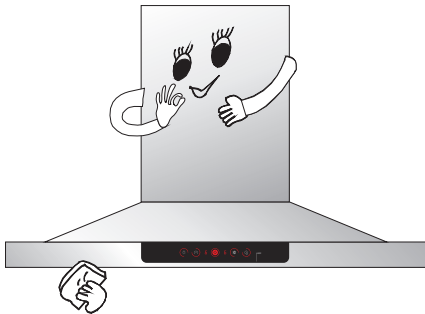
Maintenance and Services

⚠ If not wash in the way specified methods in the instruction, range hood may be liable of fire.

- Range hood shall be cleaned at regular intervals depending on the environmental conditions to keep clean and good effect, it's helpful to extend service life.
- Our suggestion: To ensure smooth fume removal, oil guide mesh should be cleaned every month. Impeller should be cleaned once every year by professionals.

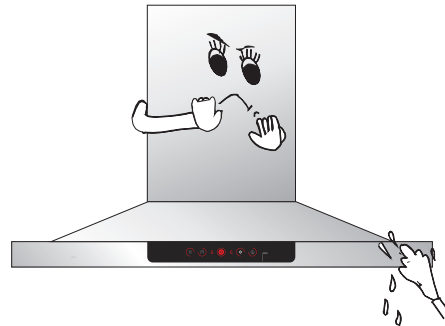
Warning: Maintenance and cleaning shall be carried out after unplug the plug. And the electric parts must avoid water.

Picture 21



Wipe with wet cloth soaked in neutral detergent.

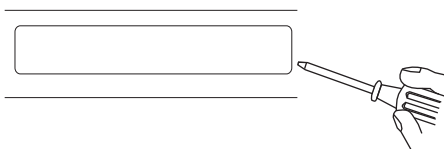
Picture 22



For safety concern, do not wash the range hood by water spray.

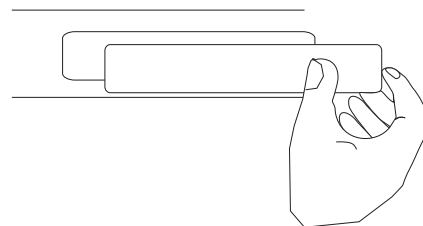
Dismounting of lamp

Picture23



Remove fastening screws of lamp shade plate by screwdriver.

Picture24



Pull out of lamp from cover and take out of connector, then replace lamp.

Note: mounting of lamp and switch is just opposite to dismounting them.

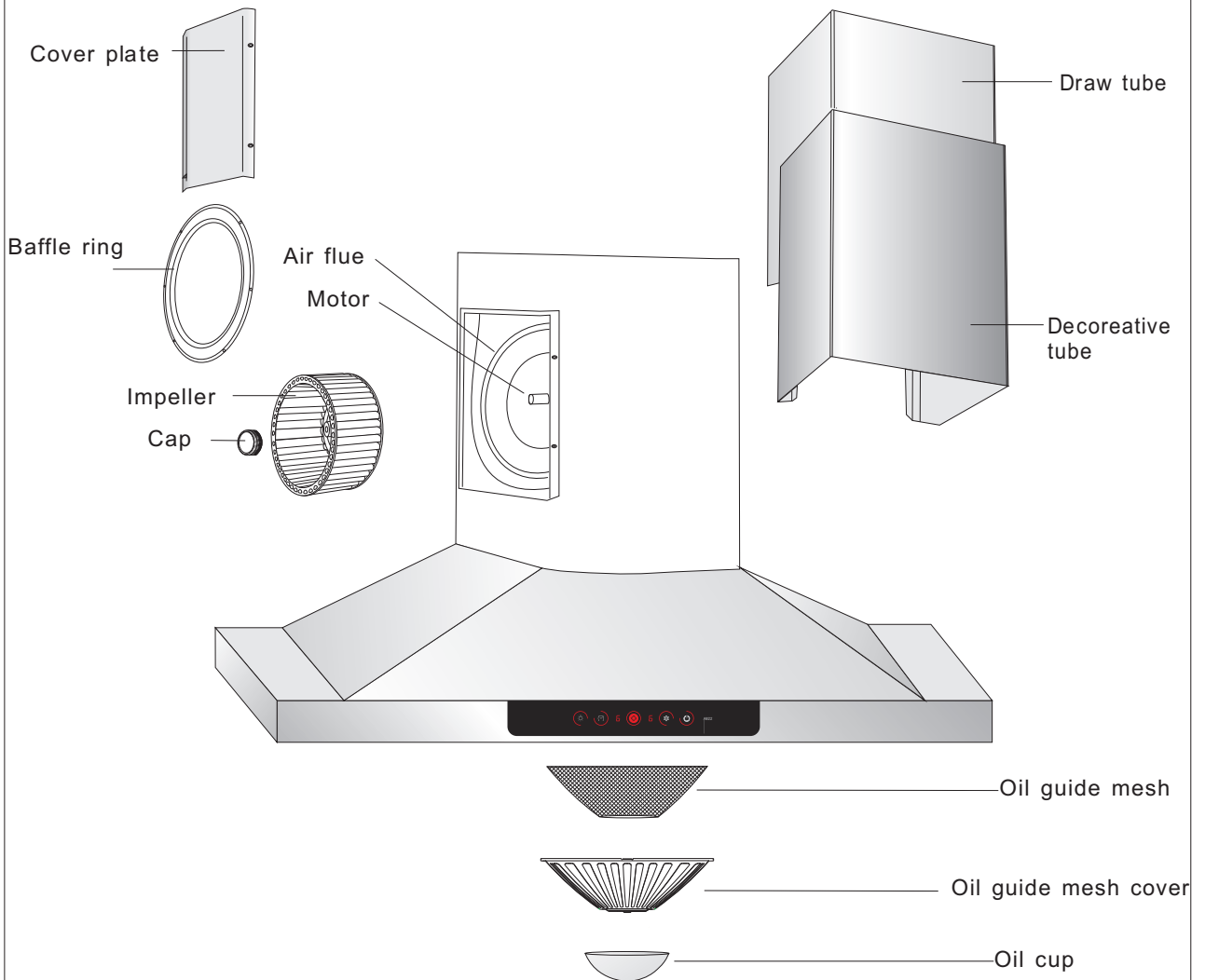
Mounting and dismounting

Picture 26

Dismounting Steps:

1. Pull out power plugs;
2. Screw off 4 screws behind the decorative tube and incline the decorative tube forward to certain angle and pull it out by force with hands;
3. Take out draw tube from the decorative tube;
4. Remove the cover plate after screwing off the fastening screws by Philips screwdriver;
5. Remove the baffle ring after screwing off its fastening screws;
6. Screw off cap cover clockwise and vertically take out impeller;
7. Remove fastening screws on the safety net by Philips screwdriver and take out oil cup and oil guide mesh. The assembly steps are just opposite to the nondisassembly. (In assembling impeller, apply lubricant to the axle hole of the impeller.)

Notice: Don't follow with step 3 without draw tube.

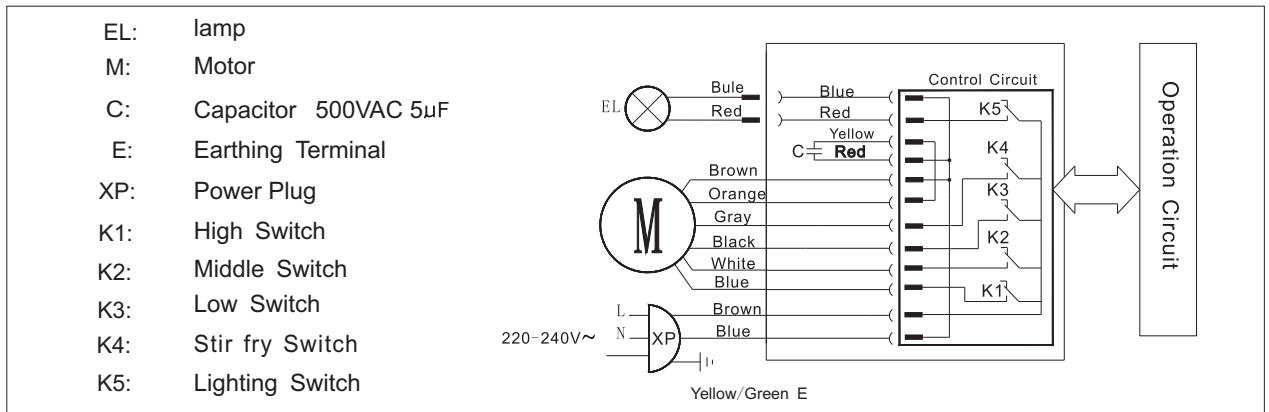


Warning


There shall be adequate ventilation of the room when the range hood is used at the same time as appliances burning gas or other fuels .

- Do not flambe under the range hood.
- Regulations concerning the discharge of air have to be fulfilled.
- This appliance is not intended for use by persons (including children) with reduced physical, sensory, or mental capacities, or lack of experience and knowledge, unless they have been given supervision or instruction concerning use of the appliance by a person responsible for their safety.
- Children should be supervised to ensure that they do not play with the appliance.
- If the supply cord is damaged, it must be replaced by the manufacturer, its service agent or similarly qualified persons in order to avoid a hazard.
- Accessible parts may become hot when used with cooking appliances
- The minimum distance between the supporting surface for the cooking vessels on the hob and the lowest part of the range hood. When the range hood is located above a gas appliance, this distance shall be at least 65 cm. If the instructions for installation for the gas hob specify a greater distance, this has to be taken into account.

Circuit Diagram



General Troubleshooting

No.	Problem	Reasons	
1	No reaction in pressing any switch (such as impeller does not run and lamp does not light)	Plugs improperly plugged or power off	<div style="text-align: center;"> Warning</div> <ol style="list-style-type: none"> 1. When connecting accessory or replacing bulb, please pull out power plug; 2. If power wires of range hood damaged, replace them by professionals; 3. Don't allow to exhaust flame through range hood.
2	Lamp fails in pressing lighting switch	Lamp damaged or improperly contacted	
3	Induction current on hood surface	Plug improperly earthed	
4	Abnormal impeller sound	Loose impeller, cap not properly fastened	
5	No oil in oil cup after some time	Inclined installation of hood body	

Edition: A/1

ROBAM